

TRACTATENBLAD

VAN HET

KONINKRIJK DER NEDERLANDEN

JAARGANG 2014 Nr. 133

A. TITEL

Briefwisseling tussen de Regering van het Koninkrijk der Nederlanden en de Voedsel- en Landbouworganisatie van de Verenigde Naties (FAO) houdende een verdrag inzake de 29ste zitting van het FAO/WHO Coordinating Committee for Europe, te Den Haag, Nederland, van 30 september tot 3 oktober 2014 (met bijlagen); Rome, 2 juni 2014

B. TEKST

Nr. I

FOOD AND AGRICULTURE ORGANIZATION OF THE UNITED NATIONS

Rome, 19 March 2014

Our Ref.: CX-706 (Agm)

Twenty-ninth Session of the FAO/WHO Coordination Committee for Europe
The Hague, 30 September – 3 October 2014

Excellency,

I have the honour to refer to the letter of 29 October 2013 from the Director-General for Agro of the Ministry of Economic Affairs of the Netherlands, addressed to the Secretary of the FAO/WHO Codex Alimentarius Commission, conveying your Government's willingness to provide host facilities for the Twenty-ninth Session of the FAO/WHO Coordinating Committee for Europe. It is proposed to hold the session in The Hague from 30 September to 3 October 2014.

I very much appreciate the generous offer made by your Government.

The Session is being convened within the framework of the Joint FAO/WHO Food Standards Programme. It is intended to invite all Members of the FAO/WHO Codex Alimentarius Commission within the geographic location of Europe listed in Annex-A1, as well as the international organizations listed in Annex-B, who will attend as appropriate according to their specific field of interest. Any other Member of the Codex Alimentarius Commission (Annex-A2) which does not belong to the geographic location of Europe may attend as an observer.

Furthermore, other Member Nations or Associate Members of FAO and/or WHO, which are not members of the Codex Alimentarius Commission, or States which, while not Members of FAO or WHO, are members of the United Nations, as well as international organizations in relationship with FAO and/or WHO, may be represented by observers at the Session, should they so request. The total number of participants is expected to be about 150.

The Session will be conducted in English, French, Spanish and Russian. FAO will be responsible for providing interpretation and translation services for English, French and Spanish, and the Host Government for Russian (see attached standards).

In order to ensure the smooth functioning of the Session, I should appreciate it if your Government would undertake to apply the following provisions:

1. The Government will exercise all reasonable care to ensure security on the premises in which the Session takes place and to ensure the safety of the officials of FAO and WHO and participants concerned while on such premises.

The Government will take whatever steps may be reasonably required in the circumstances to ensure such security and such safety, including such supervision of the premises as may be warranted.

2. The Government recognizes that the Convention on the Privileges and Immunities of the Specialized Agencies of 21 November 1947 (hereinafter referred to as "the Convention") will be applicable to the Session. Accordingly, representatives of Governments and officials of FAO and WHO performing official functions in connection with the Session will enjoy the privileges and immunities provided by Articles V and VI of the Convention. FAO declares that participants from organizations listed in Annex B are experts on mission within the meaning of Annex II and VII to the Convention, and consequently it is agreed that they will enjoy the privileges and immunities provided by those Annexes.

3. Without prejudice to the provisions of the Convention, all persons performing functions in connection with the Session shall enjoy immu-

nity from legal process in respect of words spoken or written in connection with their functions during the Session.

4. Grant visas and all necessary facilities to delegates, observers and consultants attending the Session, provided that the general conditions governing the granting of visas are fulfilled.

5. The Government will deal with any action, claim, or other demand against FAO, WHO or its personnel arising out of:

- (i) injury to person or damage to property in the premises provided for the Session;
- (ii) injury to person or damage to property incurred in using the transportation provided by the Government for the Session;
- (iii) the employment by the Government of temporary personnel for the Government.

The Government will hold harmless FAO and WHO and its personnel in respect of any such action, claim or demand, unless these damages were caused by gross negligence or intentionally caused by personnel of FAO or WHO.

6. Without prejudice to their privileges and immunities, it is the duty of all participants enjoying privileges and immunities to respect the laws and regulations of the Netherlands. They also have a duty not to interfere in the internal affairs of the Netherlands.

7. Any dispute concerning the interpretation or implementation of this Agreement, except for a dispute subject to the appropriate provisions of the Convention or of any other applicable agreement, will, unless the parties otherwise agree, be submitted to a tribunal of three arbitrators, one of whom will be appointed by the Director-General of FAO, one by the Government, and the third, who will be the chairman, by the other two arbitrators. If either party does not appoint an arbitrator within three months of the other party having notified the name of its arbitrator, or if the first two arbitrators do not within three months of the appointment or nomination of the second one of them appoint the chairman, then such arbitrator will be nominated by the President of the International Court of Justice at the request of either party to the dispute. Except as otherwise agreed by the parties, the tribunal shall adopt its own rules of procedure, provide for reimbursement of its members and the distribution of expenses between the parties, and take all decisions by a two-thirds majority. Its decisions on all questions of procedure and substance shall be final and, even if rendered in default of one of the parties, be binding on both of them.

I should appreciate receiving your Government's acceptance by email (Official-Correspondence-Group@fao.org) of the above responsibilities as soon as possible so that invitations and documents may be prepared and issued in good time. This letter and your reply will constitute the Agreement covering the Twenty-ninth Session of the FAO/WHO Coordinating Committee for Europe.

Accept, Excellency, the assurance of my highest consideration.

LOUIS GAGNON
Director Conference, Council and
Protocol Affairs Division

*Her Excellency
Gerda Verburg
Ambassador
Permanent Representative of the Kingdom of the Netherlands to FAO
Rome*

Annex-A1

CX-706 (Agm)

**Members of the FAO/WHO Codex Alimentarius Commission
within the geographic location of Europe**

Albania
Armenia
Austria
Azerbaijan
Belarus
Belgium
Bosnia and Herzegovina
Bulgaria
Croatia
Cyprus
Czech Republic
Denmark
Estonia
European Union
Finland
France
Georgia
Germany
Greece
Hungary
Iceland
Ireland
Israel
Italy
Kazakhstan
Kyrgyzstan

Latvia
Lithuania
Luxembourg
Malta
Montenegro
Netherlands
Norway
Poland
Portugal
Republic of Moldova
Romania
Russian Federation
Serbia
Slovakia
Slovenia
Spain
Sweden
Switzerland
Tajikistan
The former Yugoslav Republic of Macedonia
Turkey
Turkmenistan
Ukraine
United Kingdom
Uzbekistan

Annex-A2

CX-706 (Agm)

Membership of the Codex Alimentarius Commission

I. Member Nations: (186)

Afghanistan
Albania
Algeria
Angola
Antigua and Barbuda
Argentina
Armenia
Australia
Austria
Azerbaijan
Bahamas

Bahrain
Bangladesh
Barbados
Belarus
Belgium
Belize
Benin
Bhutan
Bolivia
Bosnia and Herzegovina
Botswana
Brazil
Brunei Darussalam
Bulgaria
Burkina Faso
Burundi
Cambodia
Cameroon
Canada
Cape Verde
Central African Republic
Chad
Chile
China
Colombia
Comoros
Congo
Cook Islands
Costa Rica
Côte d'Ivoire
Croatia
Cuba
Cyprus
Czech Republic
Democratic People's Republic of Korea
Democratic Republic of the Congo
Denmark
Djibouti
Dominica
Dominican Republic
Ecuador
Egypt
El Salvador
Equatorial Guinea
Eritrea
Estonia
Ethiopia

Fiji
Finland
France
Gabon
Gambia
Georgia
Germany
Ghana
Greece
Grenada
Guatemala
Guinea
Guinea-Bissau
Guyana
Haiti
Honduras
Hungary
Iceland
India
Indonesia
Iran (Islamic Republic of)
Iraq
Ireland
Israel
Italy
Jamaica
Japan
Jordan
Kazakhstan
Kenya
Kiribati
Kuwait
Kyrgyzstan
Lao People's Democratic Republic
Latvia
Lebanon
Lesotho
Liberia
Libya
Lithuania
Luxembourg
Madagascar
Malawi
Malaysia
Maldives
Mali
Malta

Mauritania
Mauritius
Mexico
Micronesia (Federated States of)
Moldova
Mongolia
Montenegro
Morocco
Mozambique
Myanmar
Namibia
Nauru (Republic of)
Nepal
Netherlands
New Zealand
Nicaragua
Niger
Nigeria
Norway
Oman
Pakistan
Panama
Papua New Guinea
Paraguay
Peru
Philippines
Poland
Portugal
Qatar
Republic of Korea
Republic of Moldova
Romania
Russian Federation
Rwanda
Saint Kitts and Nevis
Saint Lucia
Saint Vincent and the Grenadines
Samoa
Sao Tome and Principe
Saudi Arabia
Senegal
Serbia
Seychelles
Sierra Leone
Singapore
Slovakia
Slovenia

Solomon Islands
Somalia
South Africa
Spain
Sri Lanka
Sudan
Suriname
Swaziland
Sweden
Switzerland
Syrian Arab Republic
Tajikistan
Thailand
The former Yugoslav Republic of Macedonia
Togo
Tonga
Trinidad and Tobago
Tunisia
Turkey
Turkmenistan
Uganda
Ukraine
United Arab Emirates
United Kingdom
United Republic of Tanzania
United States of America
Uruguay
Uzbekistan
Vanuatu
Venezuela
Viet Nam
Yemen
Zambia
Zimbabwe

II. Member Organization: (1)

European Union (EU)

Annex-B**CX-706 (Agm)****List of organizations to be invited to the 29th Session of the
FAO/WHO Coordinating Committee for Europe***UN System*

Economic Commission for Africa (ECA)
 Economic Commission for Europe (ECE)
 Economic Commission for Latin America and the Caribbean (ECLAC)
 Economic and Social Commission for Asia and the Pacific (ESCAP)
 Economic and Social Commission for Western Asia (ESCWA)
 International Atomic Energy Agency (IAEA)
 International Network of Food Data Systems (INFOODS)
 International Trade Centre UNCTAD/WTO (ITC)
 Pan American Health Organization (PAHO)
 United Nations (UN)
 United Nations Conference on Trade and Development (UNCTAD)
 United Nations Development Programme (UNDP)
 United Nations Environment Programme (UNEP)
 United Nations Industrial Development Organization (UNIDO)
 World Food Programme (WFP)
 World Trade Organization (WTO)

Intergovernmental Organizations:

Africa Rice Centre (WARDA)
 African Groundnut Council (AGC)
 African Organization for Standardization (ARSO)
 African Union (AU)
 African, Caribbean and Pacific Group of States (ACP Group)
 Arab Industrial Development and Mining Organization (AIDMO)
 Arab Organization for Agricultural Development (AOAD)
 Asian and Pacific Coconut Community (APCC)
 Asociación Latinoamericana de Integración (ALADI)
 Association of Southeast Asian Nations (ASEAN)
 Bureau international des poids et mesures (BIPM)
 Caribbean Community (CARICOM)
 Caribbean Food and Nutrition Institute (CFNI)
 Cocoa Producers' Alliance (CPA)
 Comité Regional de Sanidad Vegetal del Cono Sur (COSAV)
 Commission internationale des industries agricoles et alimentaires
 (CIIAA)
 Community of Sahel-Saharan States (CEN-SAD)

Common Market for Eastern and Southern Africa (COMESA)
 Comunidad Andina (CAN)
 Conseil permanent de la Convention internationale de Stresa sur
 l'emploi des appellations d'origine et dénominations de fromages (Stresa
 Convention)
 Conseil phytosanitaire interafricain (CPIA)
 Council of Europe (COE)
 Economic Community of West African States (ECOWAS)
 European and Mediterranean Plant Protection Organization (EPPO)
 European Free Trade Association (EFTA)
 Institut international du froid/International Institute of Refrigeration
 (IIF/IIR)
 Instituto de Nutrición de Centro América y Panamá (INCAP)
 Inter-American Institute for Cooperation on Agriculture (IICA)
 International Cocoa Organization (ICCO)
 International Coffee Organization (ICO)
 International Olive Oil Council (IOOC)
 International Organisation of Vine and Wine (OIV)
 International Organization of Legal Metrology (OIML)
 International Pepper Community (IPC)
 League of Arab States (LAS)
 Mercado Común del Sur (MERCOSUR)
 Organisation africaine et malgache du café (OAMCAF)
 Organisation for Economic Co-operation and Development (OECD)
 Organization of American States (OAS)
 Organismo Internacional Regional de Sanidad Agropecuaria (OIRSA)
 Pacific Community (PC)
 Secretariat of Central American Economic Integration (SIECA)
 Sistema Económico Latinoamericano (SELA)
 South Asian Association for Regional Cooperation (SAARC)
 Southern African Development Community (SADC)
 Standardization Organization for G.C.C. (GSO)
 Union douanière et économique de l'Afrique centrale (UDEAC)
 West African Economic and Monetary Union (UEMOA)
 World Customs Organization (WCO)
 World Organization for Animal Health (OIE)

International Non-Governmental Organizations:

49th Parallel Biotechnology Consortium (49P)
 American Association of Cereal Chemists (AACC)
 American Oil Chemists' Society (AOCS)
 American Society for Nutrition (ASN)
 AOAC International (AOAC International)
 ASEAN Vegetable Oils Club (AVOC)
 Asociación Latinoamericana de Avicultura (ALA)

Asociación Latinoamericana y del Caribe de Ciencia y Tecnología de los Alimentos (Latin American and Caribbean Food Science and Technology Association) (ALACCTA)

Association des industries des aliments diététiques de l'Union européenne (IDACE)

Association for International Promotion of Gums (AIPG)

Association internationale des industries de bouillons et potages (AI-IBP) / Federation des

Associations de L'industrie des Bouillons et Potages de la CEE (FAIBP) (AIIBP/FAIBP)

Association of American Feed Control Officials (AAFCO)

Association of European Coeliac Societies (AOECS)

Association of Manufacturers and Formulators of Enzyme Products (AMFEP)

Association of the European Self-Medication Industry (AESGP)

Association of Yoghurts & Live fermented milks (YLFA)

BIOPOLYMER International (BIOPOLYMER)

Biotechnology Industry Organization (BIO)

Collagen Casings Trade Association (CCTA)

Calorie Control Council (CCC)

Comité de liaison de l'agrumiculture méditerranéenne (CLAM)

Comité du commerce des céréales, aliments du bétail, oléagineux, huiles et graisses et agrofournitures de l'Union Européenne (COCERAL)

Comité européen des fabricants de sucre (CEFS)

Comisión Panamericana de Normas Técnicas (COPANT)

Confédération des industries agro-alimentaires de l'UE (CIAA)

Confédération internationale du commerce et des industries des légumes secs (CICILS)

Consumers International (CI)

Council for Responsible Nutrition (CRN)

Council on Amino Acid science (ICAAS)

Crop Life International (CropLifeInternational)

EAN International (EAN)

Early Nutrition Academy (ENA)

Enzyme Technical Association (ETA)

EURACHEM

Euro Commerce (EUROCOMMERCE)

European Ice Cream Association (EUROGLACES)

Europe-Africa-Caribbean-Pacific Liaison Committee for the Promotion of Tropical Fruits, Off-Season Vegetables, Flowers, Ornamental Plants and Spices (COLEACP)

European Animal Protein Association (EAPA)

European Association for Bioindustries (EUROPABIO)

European Association of Communications Agencies (EACA)

European Association of Fruit and Vegetable Processors (PROFEL/OEITFL)

European Association of Polyol Producers (EPA)

European Chemical Industry Council (CEFIC)
 European Chilled Food Federation (ECFF)
 European Cocoa Association (ECA)
 European Committee for Standardization (CEN)
 European Committee for Umami (ECU)
 European Consumers' Organisation (The) (BEUC)¹⁾
 European Dairy Association (EDA)
 European Dehydrators Association (CIDE)
 European Fat Processors and Renderers Association (EFPPA)
 European Federation of Associations of Health Product Manufacturers (EHPM)
 European Federation of Honey Packers and Distributors (FEEDM)
 European Feed Manufacturers' Federation (FEFAC)
 European Flavour and Fragrance Association (EFFA)
 European Fish Processor Association (AIPCE)
 European Food Emulsifier Manufacturers' Association (EFEMA)
 European Food and Feed cultures Association (EFFCA)
 European Food Law Association (AEDA/EFLA)
 European Natural SoyFoods Manufacturers Association (ENSA)
 European Network of Childbirth Associations (ENCA)
 European Salt Producers' Association (EuSalt)
 European Society for Paediatric Gastroenterology Hepatology and Nutrition (ESPGHAN)
 European Starch Industry Association (AAF)
 European Vegetable Protein Federation (EUVEPRO)
 European Wax Federation (EWF)
 Fédération de l'industrie de l'huilerie de la CE (FEDIOL)
 Fédération internationale des associations d'apiculture (APIMONDIA)
 Federation of European Specialty Food Ingredients Industries (ELC)
 Federation of Oils, Seeds and Fats Associations International (FOSFA International)
 Global Alliance for Improved Nutrition (GAIN)
 Grain and Feed Trade Association (GAFTA)
 Greenpeace International (GREENPEACE)
 Groupement des Associations Meunières des Pays de l'UE (GAM)
 Helen Keller International (HKI)
 Honey International Packers Association (HIPA)
 Industry Council for Development (ICD)

¹⁾ Observer status to BEUC is granted on the understanding that:

- a) BEUC will only participate as such in Codex meetings when CI (Consumers International) is not represented;
- b) At meetings where CI is represented, BEUC can only participate as part of the CI delegation and not speak as BEUC; and
- c) BEUC can submit written comments only on those issues for which CI does not submit any comments

Institut européen des industries de la gomme de caroube (INEC)
 Institute of Food Technologists (IFT)
 International Accreditation Forum (IAF)
 International Alliance of Dietary/Food Supplement Associations
 (IADSA)
 International Aluminium Institute (IAI)
 International Association for Cereal Science and Technology (IACST)
 International Association for the Development of Natural Gums (AID-
 GUM)
 International Association of Color Manufacturers (IACM)
 International Association of Consumer Food Organizations (IACFO)
 International Association of Fish Inspectors (IAFI)
 Intergovernmental Authority on Development (IGAD)
 International Baby Food Action Network (IBFAN)
 International Centre for Trade and Sustainable Development (ICTSD)
 International Chamber of Commerce (ICC)
 International Chewing Gum Associations (ICGA)
 International Commission for Uniform Methods of Sugar Analysis
 (ICUMSA)
 International Commission on Microbiological Specifications for Foods
 (ICMSF)
 International Confectionery Association (ICA/IOCCC)
 International Cooperative Alliance (ICA)
 International Council of Beverages Associations (ICBA)
 International Council of Bottled Water Associations (ICBWA)
 International Council of Grocery Manufacturers Associations
 (ICGMA)
 International Dairy Federation (IDF/FIL)
 International Diabetes Federation (IDF/FID)
 International Egg Commission (IEC)
 International Federation for Animal Health (IFAH)
 International Federation of Fruit Juice Producers (IFU)
 International Federation of Margarine Associations (IFMA)
 International Federation of Organic Agriculture Movements (IFOAM)
 International Federation of Produce Standards (IFPS)
 International Federation of Wines and Spirits (FIVS)
 International Feed Industry Federation (IFIF)
 International Food Additives Council (IFAC)
 International Food Policy Research Institute (IFPRI)
 International Frozen Foods Association (IFFA)
 International Glutamate Technical Committee (IGTC)
 International Hydrolyzed Protein Council (IHPC)
 International Lactation Consultant Association (ILCA)
 International Life Sciences Institute (ILSI)
 International Nut and Dried Fruit Council Foundation (INC)
 International Organization for Standardization (ISO)
 International Organization of Spice Trade Associations (IOSTA)

International Organization of the Flavour Industry (IOFI)
International Pectin Producers' Association (IPPA)
International Probiotics Association (IPA)
International Poultry Council (IPC)
International Seed Federation (ISF)
International Society of Citriculture (ISC)
International Special Dietary Foods Industries (ISDI)
International Sweeteners Association (ISA)
International Union of Food Science and Technology (IUFoST)
International Union of Microbiological Societies (IUMS)
International Union of Nutritional Sciences (IUNS)
International Union of Pure and Applied Chemistry (IUPAC)
International Wheat Gluten Association (IWGA)
Liaison Center for the Meat Processing Industry in the European Union (CLITRAVI)
Latin American Association of National Agrochemical Industries (ALINA)
National Health Federation (NHF)
Natural Food Colours Association NATCOL)
Nordic Committee on Food Analysis (NMKL)
Organisation Européenne des Industries transformatrices de fruits et légumes (OEIFTL)
Pesticides Action Network (PAN)
Public Research and Regulation Initiative (PRRI)
Safe Supply of Affordable Food Everywhere (SSAFE)
The International Federation of Environmental Health (IFEH)
Transfrigoroute International (TI)
United States Pharmacopeial Convention (USP)
Working Group on Prolamin Analysis and Toxicity (WGPAT)
World Association for Animal Production (WAAP)
World Association of Seaweed Producers (MARINALG International)
World Federation of Advertizers (WFA)
World Medical Association (WMA)
World Processing Tomato Council (WPTC)
World Renderers Organization (WRO)
World Self-Medication Industry (WSMI)
World Sugar Research Organization (WSRO)
World Veterinary Association (WVA)

Minimum standards for simultaneous interpretation equipment²⁾

In cases where the Host Government provides simultaneous interpretation equipment for FAO sessions, conferences or seminars, the following minimum standards will apply:

EQUIPMENT IN THE MEETING HALL

1. Listening Equipment: Listeners shall be provided with a receiver fitted with a channel selector and volume control, and with a light, comfortable and sensitive headset.

The receiver shall include one channel for each language used in the meeting, plus one for the original language, so that participants can listen to a speaker either:

- directly by selecting the original language channel; or
- through interpretation by selecting the appropriate channel.

2. Speech reinforcement equipment: In the presence of a public address system, its volume control shall be completely independent from that of the simultaneous interpretation system so that lowering the volume of the public address system shall not reduce the sound level supplied to the interpreters through their headsets.

3. Sound quality: When the conference hall is occupied and the installation is in working order, all the links in the chain “speaker-control box-interpreter’s headsets” must provide the correct reproduction of audio-frequencies between 150 and 12000 Hz.

4. Microphones: At least one moveable tabletop microphone shall be provided for each 3 participants. The microphone shall incorporate an on/off switch and a clearly visible warning light to show when the microphone is on.

If microphones are operated by participants, the microphone circuits shall be arranged so that:

- not more than one microphone can be on at any given moment;
- the Chairman’s position is provided with the means of cutting out all other microphones in the hall.

If the microphones are not operated by participants, the control panel shall be placed so that its operator has full visibility of the hall and is close to the interpreters.

5. Visual Aids: Visual aids for the participants, such as screens or blackboards, shall be positioned so as to be easily visible from the interpreters’ booths.

6. If there is a podium it should also be fitted with one standing microphone and lectern for formal speeches.

²⁾ It shall be understood that these standards are for mobile equipment but can also be considered as the strict minimum for fitted installations already built. If any new Conference facility is planned, a copy of International Standard ISO-2603 should be obtained from the International Organization for Standardization.

INTERPRETERS' BOOTHS

7. Dimensions and layout: For dimensions and layout, see sketch on page 4.

8. Construction and sound insulation: The booths shall be built so as to keep spurious noise transmission between booths and hall to a minimum.

Materials should be selected for their soundproofing qualities and should be nonirritating (to eyes, skin and respiratory tract), antistatic and fire-retardant. Walls should be of sandwich construction with a sound-absorbing material between the outer layers. The interior of the booth shall be lined with a sound-absorbing material.

9. Ventilation/air-conditioning: Adequate ventilation/air-conditioning of the booths is essential. The air should be completely renewed at least 7 times per hour.

10. Equipment: See sketch on page 4.

The control panel shall be fitted with the following controls for each interpreter:

- Channel selector for listening to the original language and, in relay, to the interpreters from the other booths;
- Volume control knob;
- On/off switch for microphone, with warning light to show when microphone is on;
- Muting key ("cough button").

A tone control and outgoing channel selection with warning lights are useful and even essential in one or more booths for meetings where Arabic or Chinese is spoken.

Example: A meeting with Arabic, English and French.

Three booths: Arabic, English and French each equipped with the standard incoming (original language) channel and outgoing (interpretation) channel.

In this case, the Arabic booth, in addition to its standard outgoing Arabic interpretation channel, should be wired up so as to have access to the English and French interpretation channels of the system. This will enable the interpreters sitting in the Arabic booth to interpret from Arabic (when Arabic is spoken) into either English or French from their own booths through one or other of these two channels.

Each interpreter shall have:

- a microphone (hand-held microphones are unacceptable).
- a light (maximum weight 150 grams) comfortable and sensitive headset (stethoscope-type, single-ear type, or types with pads fully enclosing the ears are unacceptable).
- a desk lamp with on/off switch to light the tabletop (overhead fluorescent tubes are unacceptable).
- a comfortable chair, preferably height-adjustable.

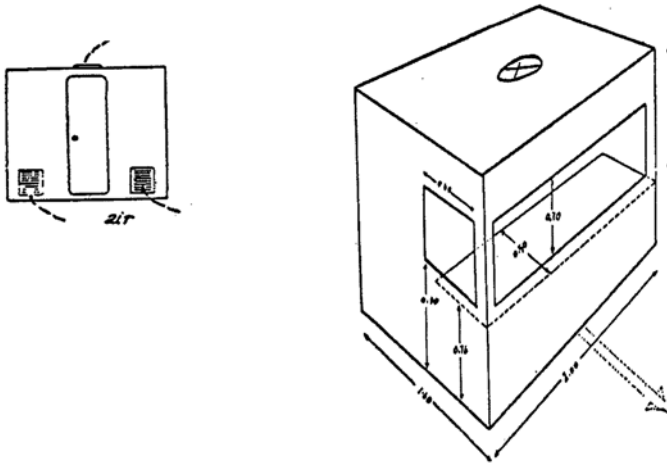
11. Location: Booths shall be located so as to afford a complete view of participants, podium and screen or blackboard. If installed on the

meeting hall floor, they should be raised about 50 centimetres above floor level. A direct view of the hall is essential: no system using closed-circuit television is acceptable.

Booths shall be located away from sources of noise like air-conditioning plants, generators, delegates' lounge and should be 2 metres clear of the nearest participant.

INTERPRETERS' BOOTH

Rear Elevation



Two typical booth arrangements

To nearest participant: 2.00

Microphones and lamps should have some form of flexible neck.

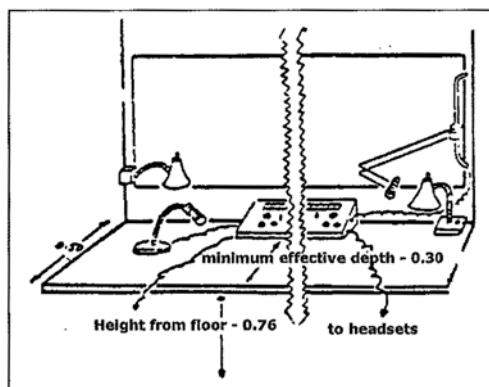
NOTES

Windows: double-glazed; front window right across booth;

Table: strong enough to take weight of control panel + documents + two interpreters leaning on it: minimum effective depth 0.30; table extends right across booth;

Access: Outward opening rear door or heavy curtain;

Ventilation: silent roof fan; rear intake vents.



N.B. Care should be taken not to place the booths anywhere that would hinder exit in case of emergency.

Nr. II

PERMANENT REPRESENTATION OF THE KINGDOM OF THE NETHERLANDS TO THE UN ORGANISATIONS FOR FOOD AND AGRICULTURE

Rome, 2 June 2014

Our reference: Rof-2014/055

Re Host Government Agreement / CX-706 (Agm): 29th Session of the
FAO/WHO Coordinating Committee for Europe
(The Hague, Netherlands, 30 September – 3 October 2014)

Dear Mr Gagnon,

I have the honour to refer to your letter reference CX-706(Agm) of 19 March 2014, relating to an Agreement to be concluded between the Government of the Kingdom of the Netherlands and the Food and Agriculture Organization of the United Nations (FAO) concerning the Twenty-ninth Session of the FAO/WHO Coordination Committee for Europe which is scheduled to be held in The Hague, the Netherlands, from 30 September to 3 October 2014.

I am authorized by the Government of the Netherlands to state that it agrees to the proposals formulated in your letter of 19 March 2014

(including its Annexes), regarding the organization of the Session. Further, I am authorized to state that the Government of the Netherlands considers your letter and this reply as together constituting an Agreement between the Kingdom of the Netherlands and the Food and Agriculture Organization of the United Nations (FAO) in respect of the Twenty-ninth Session of the FAO/WHO Coordination Committee for Europe, which shall enter into force on the date of this reply and shall remain in force for the duration of the Session and for such additional period as is necessary for its preparation and winding up, the total duration of this Agreement, however, not to exceed one year.

Please accept, Sir, the assurances of my highest consideration.

Yours sincerely,

GERDA VERBURG
Ambassador Permanent Representative
of the Netherlands

*Mr Louis Gagnon
Director
Conference, Council and Protocol Affairs Division Food and
Agricultural Organization of the UN
Via delle Terme di Caracalla
Rome*

D. PARLEMENT

Het in de brieven vervatte verdrag, met bijlagen, behoeft ingevolge artikel 7, onderdeel c, van de Rijkswet goedkeuring en bekendmaking verdragen niet de goedkeuring van de Staten-Generaal.

G. INWERKINGTREDING

De bepalingen van het in de brieven vervatte verdrag, met bijlagen, zijn ingevolge het gestelde in de tweede alinea van brief nr. II op 2 juni 2014 in werking getreden.

Het in de brieven vervatte verdrag, met bijlagen, zal ingevolge dezelfde alinea niet langer dan één jaar van kracht zijn.

Wat betreft het Koninkrijk der Nederlanden, geldt het in de brieven vervatte verdrag, met bijlagen, alleen voor Nederland (het Europese deel).

J. VERWIJZINGEN

- Titel : Handvest van de Verenigde Naties;
San Francisco, 26 juni 1945
- Tekst : *Trb.* 1979, 37 (Engels en Frans, geconsolideerd)
Trb. 1987, 113 (vertaling, geconsolideerd)
- Laatste *Trb.* : *Trb.* 2014, 112
- Titel : Statuut van het Internationaal Gerechtshof;
San Francisco, 26 juni 1945
- Tekst : *Trb.* 1971, 55 (Engels en Frans)
Trb. 1987, 114 (vertaling, herzien)
- Laatste *Trb.* : *Trb.* 2012, 128
- Titel : Statuut van de Voedsel- en Landbouworganisatie van
de Verenigde Naties;
Quebec, 16 oktober 1945
- Tekst : *Trb.* 1996, 341 (Engels, geconsolideerd)
Trb. 2009, 63 (vertaling, geconsolideerd)
- Titel : Statuut van de Wereldgezondheidsorganisatie;
New York, 22 juli 1946
- Tekst : *Trb.* 2006, 73 (Engels, herzien)
Trb. 2007, 34 (vertaling, herzien)
- Laatste *Trb.* : *Trb.* 2007, 34
- Titel : Verdrag nopens de voorrechten en immuniteiten van de
gespecialiseerde organisaties;
New York, 21 november 1947
- Tekst : *Stb.* 1949, 67 (Engels, Frans en vertaling)
- Laatste *Trb.* : *Trb.* 2004, 59

In overeenstemming met artikel 19, tweede lid, van de Rijkswet goedkeuring en bekendmaking verdragen heeft de Minister van Buitenlandse Zaken bepaald dat het in de brieven vervatte verdrag, met bijlagen, zal zijn bekendgemaakt in Nederland (het Europese deel) op de dag na de datum van uitgifte van dit Tractatenblad.

Uitgegeven de *zestiende* juli 2014.

De Minister van Buitenlandse Zaken,

F.C.G.M. TIMMERMANS